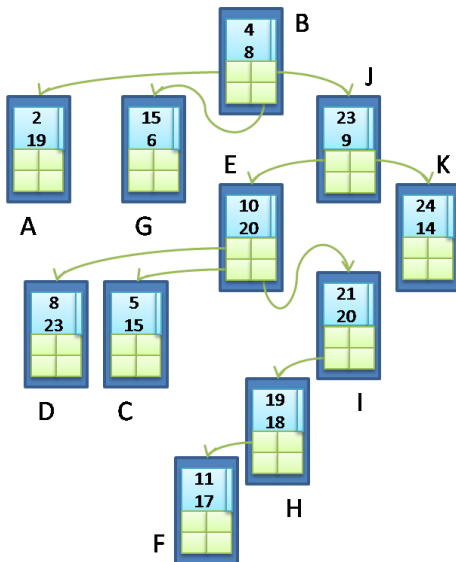


Exercises for Spatial Databases and GIS

Sheet 6 (until 13.12.2013)

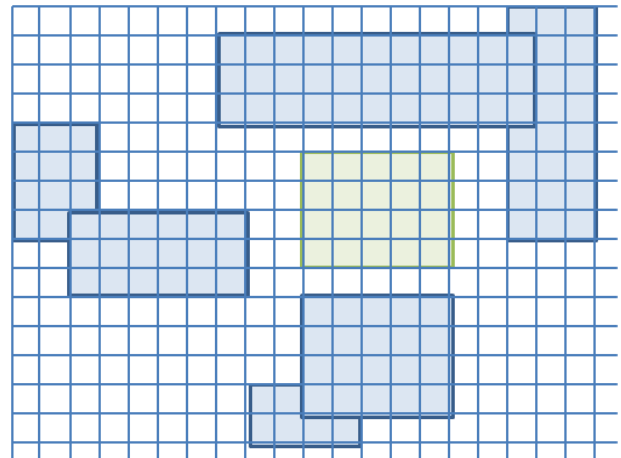
Exercise 1 (Quadtree)

Delete J.



Exercise 2 (R-tree)

The blue rectangles below had been in one r-tree node. After the insertion of the green rectangle a split is necessary. Use the algorithm with linear complexity to determine the seeds and distribute the rectangles into two nodes.



Exercise 3 (Geometric Operations)

Write down an algorithm (pseudocode) to determine whether two rectangles intersect or not.